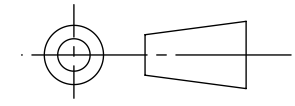
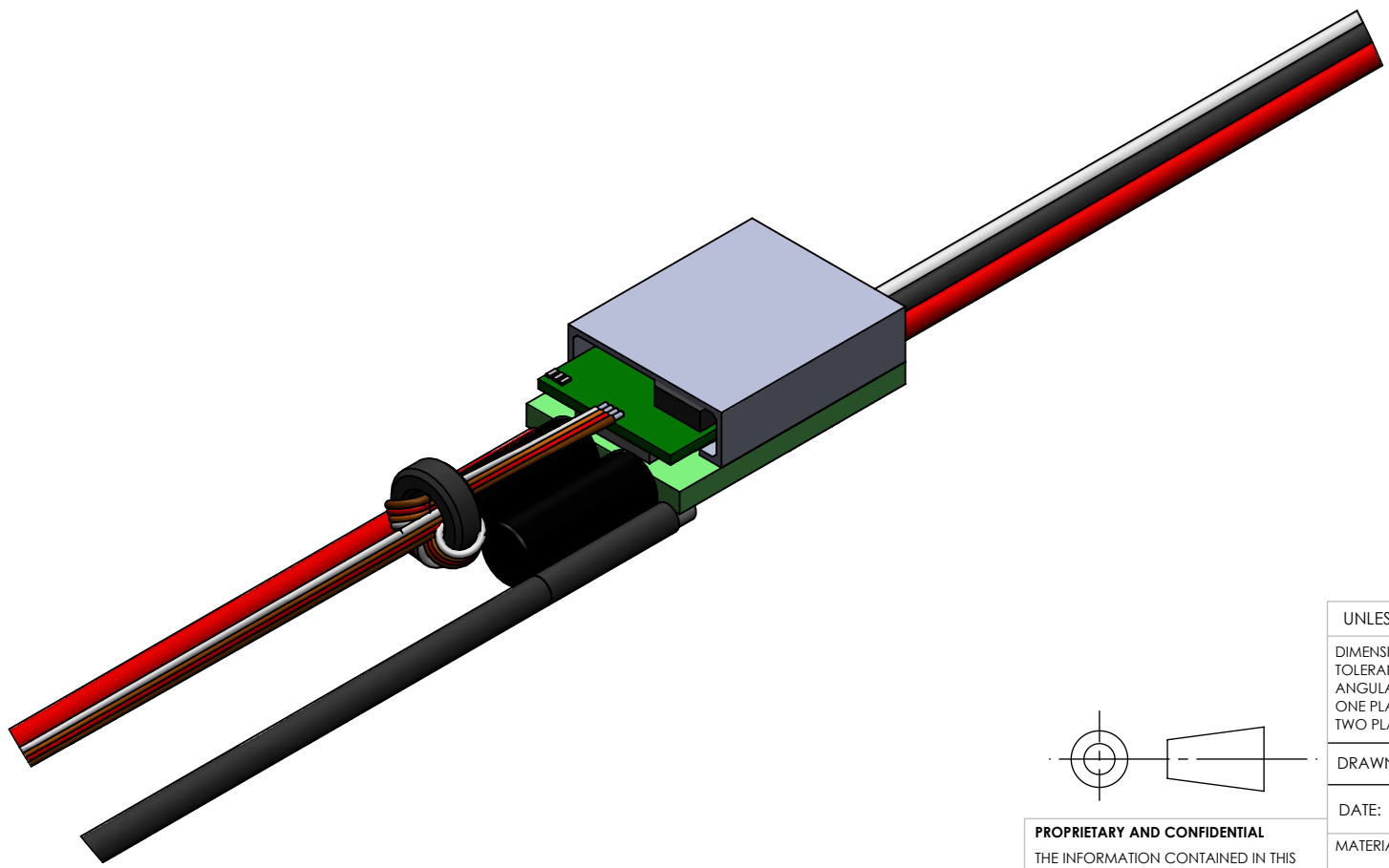
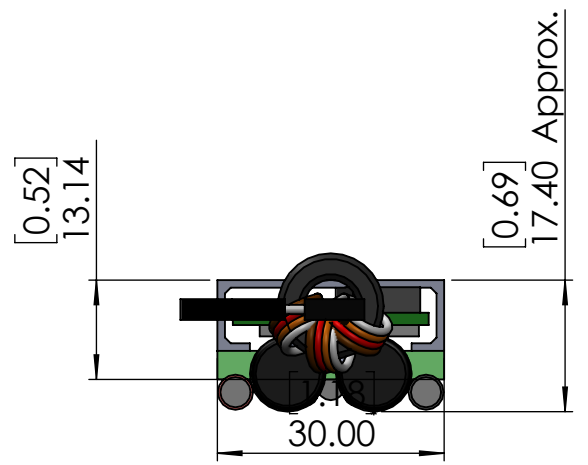
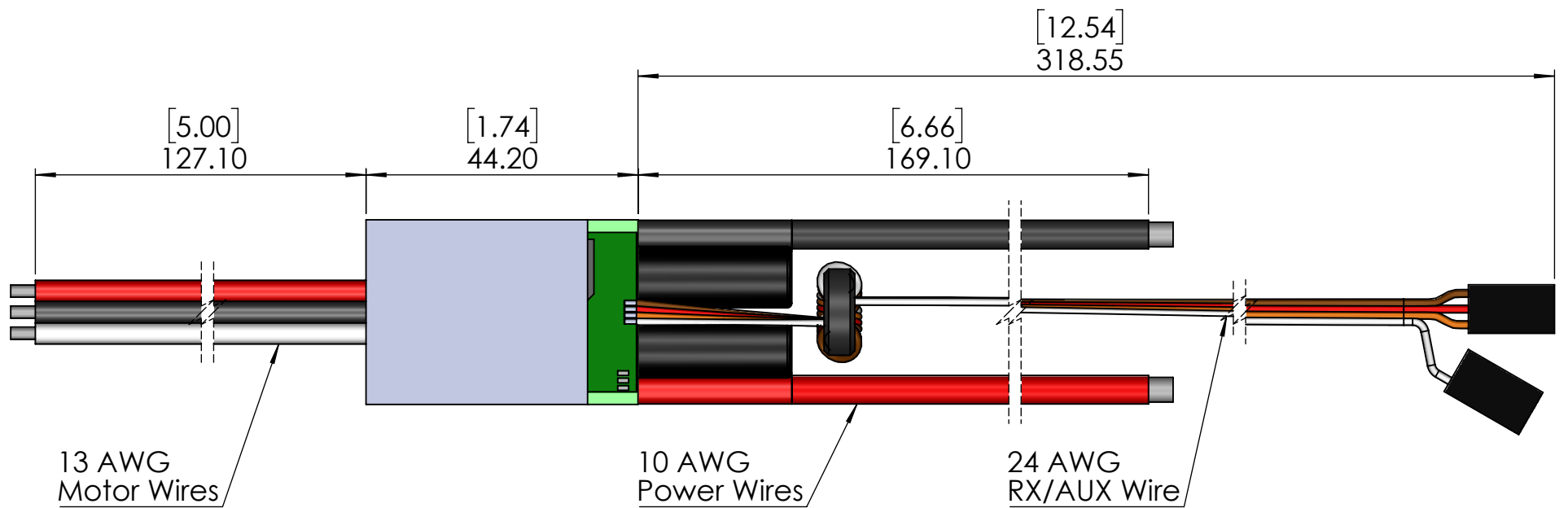


REVISIONS					
ZONE	REV.	DESCRIPTION	DRAWN BY	DATE	APPROVED
	A	Initial Drawing	JCV	03/21/2012	
	B	Corrected Views/Dimensions	PK	7/5/2017	TJ



PROPRIETARY AND CONFIDENTIAL
 THE INFORMATION CONTAINED IN THIS DRAWING IS THE SOLE PROPERTY OF CASTLE CREATIONS. ANY REPRODUCTION IN PART OR AS A WHOLE WITHOUT THE WRITTEN PERMISSION OF CASTLE CREATIONS IS PROHIBITED.

UNLESS OTHERWISE SPECIFIED:
 DIMENSIONS ARE IN MM
 TOLERANCES: (UNLESS NOTED)
 ANGULAR: MACH±0.5° BEND ±1°
 ONE PLACE DECIMAL ±0.2
 TWO PLACE DECIMAL ±0.08

DRAWN: JCV/PK

DATE: 03/21/13

MATERIAL

FINISH

DO NOT SCALE DRAWING

Castle Creations, Inc.

TITLE:
Edge Lite 75

SIZE DWG. NO.:
B 010-0112-00

REV
B

SCALE: 1:1 SHEET 1 OF 1